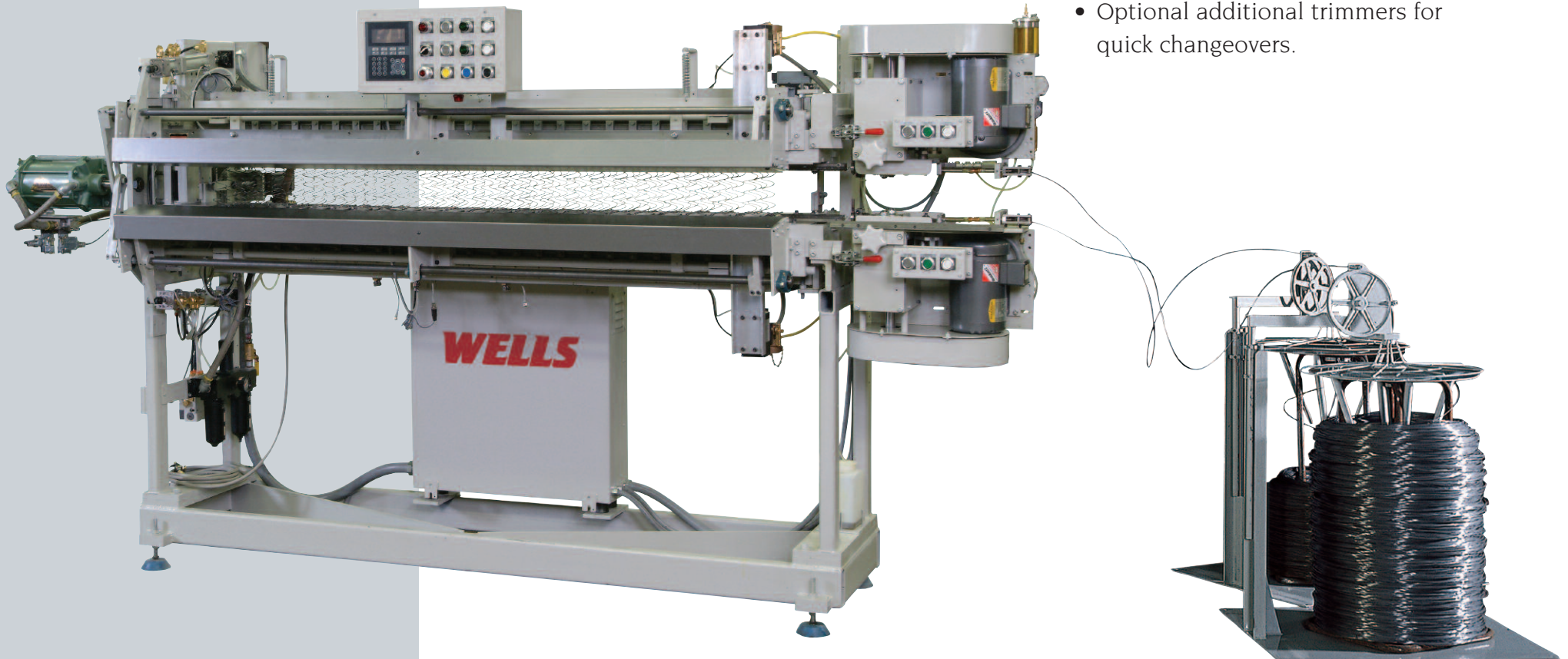


Wells Coil Assembler Model 2000FL

PERFORMANCE, SIMPLICITY, RELIABILITY AND SERVICE.

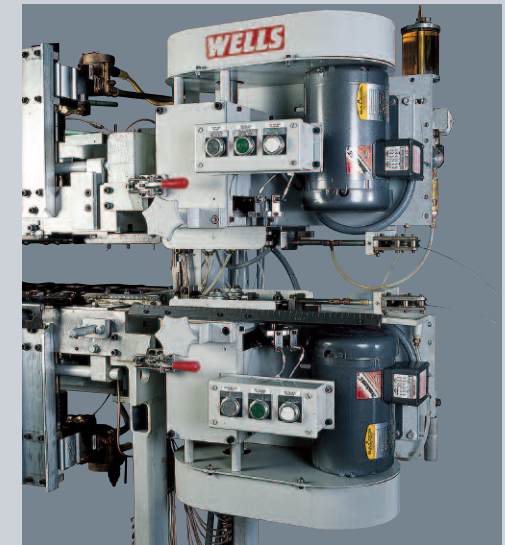
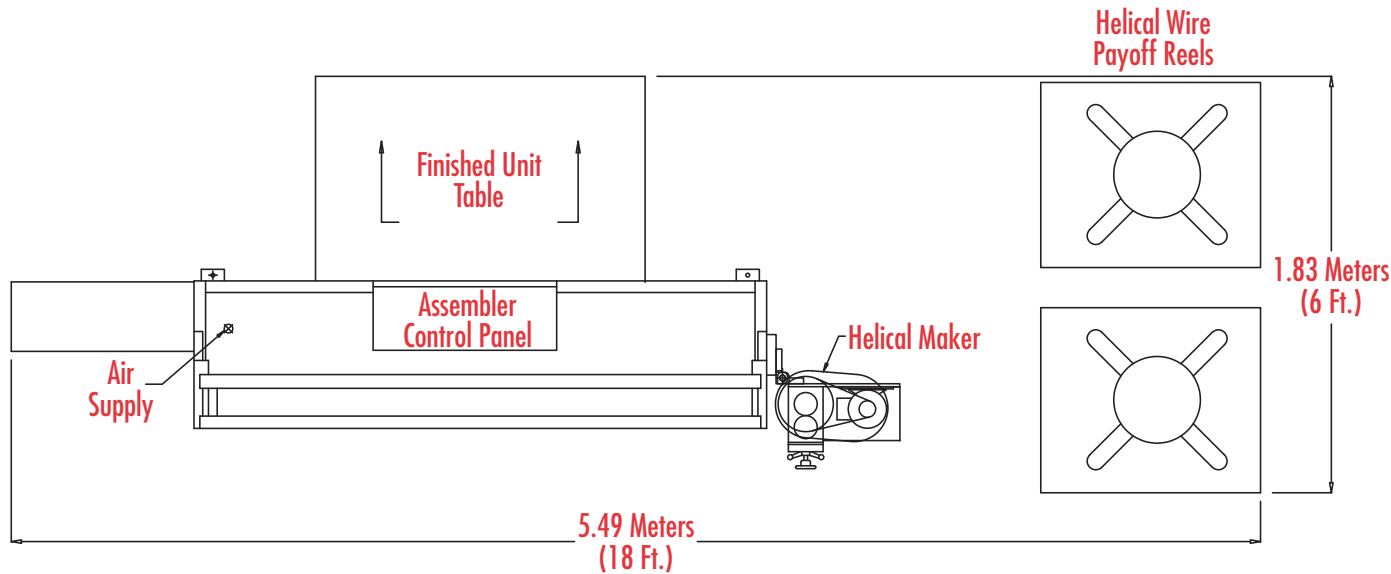
The Wells 2000FL Coil Assembler is distinguished by its quality features, including:

- One assembler to make all sizes up to 2100mm (82.7").
- Form and lace helical maker.
- Left-hand trimmers easily adjustable for varying sizes.
- Optional additional trimmers for quick changeovers.



16400 W. Lincoln Avenue
New Berlin, Wisconsin 53151 USA
Phone: (262) 754-1100
FAX: (262) 784-0682
Email: sales@wells-toolrite.com
Web: www.wells-toolrite.com

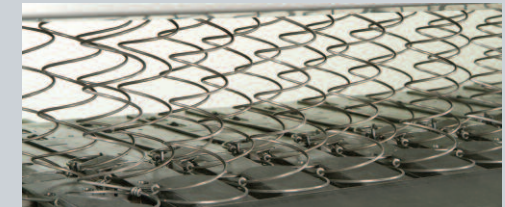
Wells Coil Assembler Model 2000FL



PLC-controlled Form and Lace Helical Makers are fast. Quick response to jams eliminates down



Simple rotary trimmers provide excellent reliable trimmed helical ends. Additional trimmers are available for quick size changeovers.



Preloader increases coil throughput as operator loads coils while the helical is formed and sewn.

MACHINE SPECIFICATIONS

- **Unit Size**.....Up to 2100mm (82.7")
- **Coil Diameter***41mm to 111mm (1½" to 4¾")
- **Coil Height***76mm to 165mm (3" to 6½")
- **Wire Gauge***Coils 2.52mm to 1.37mm (12½ to 17 ga)
Helical 1.42mm to 1.21mm (16¾ to 18 ga)
- **Electrical**3.0kw
- **Air**0.07m³/cycle at 6.9 BAR
(2.4 cu ft/cycle at 100 PSI)
- **Shipping**.....520cm x 150cm x 226cm (205" x 59" x 89")
Net: 2,000kg (4,400 lbs.)
Gross: 2,400kg (5,280 lbs.)

*These specifications demonstrate the full range of the machine; additional tooling is required.

WELLS COMPANY
A DIVISION OF TOOLRITE MFG. CO, INC.

16400 W. Lincoln Ave., New Berlin, WI 53151 USA Phone: (262) 754-1100

FAX: (262) 784-0682 Email: sales@wells-toolrite.com Web: www.wells-toolrite.com

